

chair **sp**



b+1 designs



Description



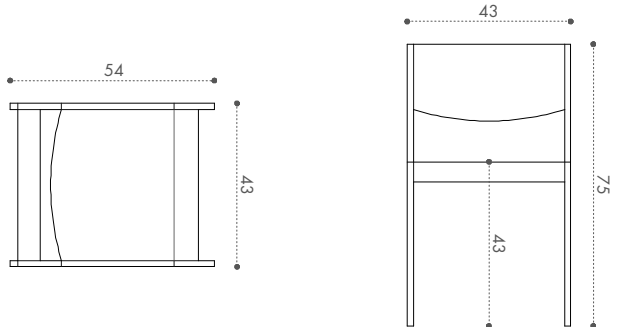
The sp chair interprets original handcraft in order to achieve a contemporary piece of furniture without sacrificing the warmth and character of tradition. Alike all b+1 furniture, the sp chair is produced on demand and all items are numbered. Our bet for handcrafted objects allows for part of the designs, such as the material and colour of the upholstery, to be modified in order to suit any environment.



Technical info



Dimensions



Materials

Laminated birch wood with polyurethane varnish and upholstered in corduroy

Colours





Designs b+1 architects

